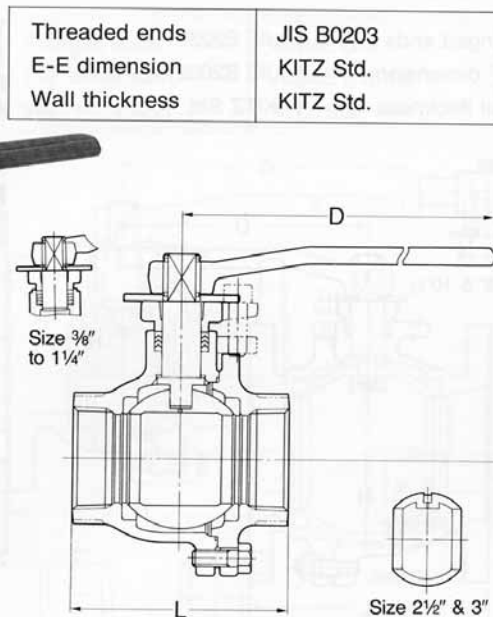


JIS 10K Iron Threaded Ball Valve (Full Bore)

Fig. 10FCT



Blowout-proof stem



Size 3/8" to 1 1/4"

Size 2 1/2" & 3"

Threaded ends	JIS B0203
E-E dimension	KITZ Std.
Wall thickness	KITZ Std.

120°C Non-shock water	1.37MPa (14kgf/cm ²)
120°C Water, oil, gas	0.98MPa (10kgf/cm ²)
Saturated steam	0.69MPa (7kgf/cm ²)
Hydrostatic shell test	2.06MPa (21kgf/cm ²)
Pneumatic seat test	0.59MPa (6kgf/cm ²)

Materials

Parts	JIS materials
Body	FC200
Body cap	FC200
Stem	SUS403
Ball	SUS304/SCS13A
Gland	FCD400
Gland packing	PTFE
Handle	FCD400
Gasket	PTFE
Packing washer (3/8" to 1 1/4")	SUS304
Ball seat	PTFE
Cap bolt	SS400
Gland bolt	SCM435
Thrust washer	Reinforced PTFE

Dimensions

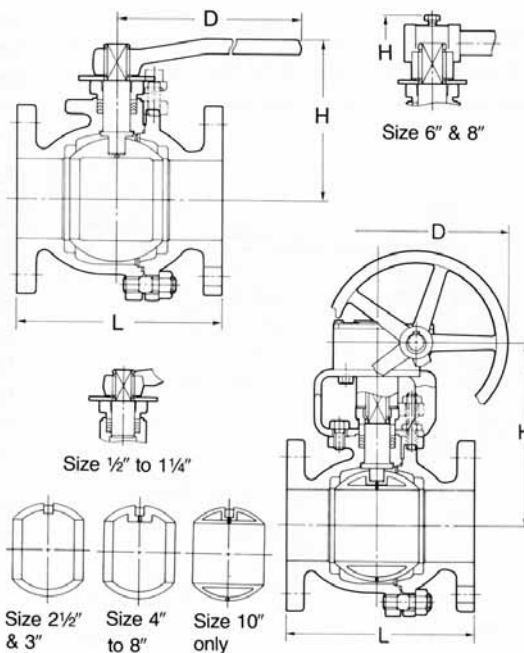
Valve size	mm	10	15	20	25	32	40	50	65	80
	inch	3/8	1/2	3/4	1	1 1/4	1 1/2	2	2 1/2	3
Bore diam.		10	15	20	25	32	40	50	65	80
L Face-to-face		72	80	85	95	120	120	140	160	182
H Height		71	102	105	125	130	115	120	155	165
D Leverhandle		130	130	130	160	160	230	230	400	400

JIS 10K Iron Ball Valve (Full Bore)

Fig. 10FCTB



Blowout-proof stem



Size 1/2" to 1 1/4"

Size 6" & 8"

Size 2 1/2" & 3" Size 4" to 8" Size 10" only

120°C Non-shock water	1.37MPa (14kgf/cm ²)
120°C Water, oil, gas	0.98MPa (10kgf/cm ²)
Saturated steam	0.69MPa (7kgf/cm ²)
Hydrostatic shell test	2.06MPa (21kgf/cm ²)
Pneumatic seat test	0.59MPa (6kgf/cm ²)

Materials

Parts	JIS materials
Body	FC200
Body cap	FC200
Stem	SUS403
Ball	SCS13A/SUS304
Gland	FCD400
Gland packing	PTFE
Packing washer (Size 1/2" to 1 1/4")	SUS304
Ball seat	PTFE*
Thrust washer	Reinforced PTFE
Handle*	(1/2" to 5") FCD400 (6" to 8") SGP

* HYPAPITE PTFE or C/F PTFE is optionally available.
* Bar type handle is used for 6" & larger.

Flanged ends	JIS B2239
F-F dimension	KITZ Std.
Wall thickness	KITZ Std.

Dimensions

Valve size	mm	15	20	25	32	40	50	65	80	100	125	150	200	250*
	inch	1/2	3/4	1	1 1/4	1 1/2	2	2 1/2	3	4	5	6	8	10
Bore diam.		15	20	25	32	40	50	65	80	100	125	150	200	250
L		110	120	130	140	165	180	190	200	230	300	340	450	533
H		102	105	124	130	115	120	155	165	200	220	295	355	477
D		130	130	160	160	230	230	400	400	460	460	1000	1500	500

* Note: Gear Operated. Contact KITZ or its distributors for details.

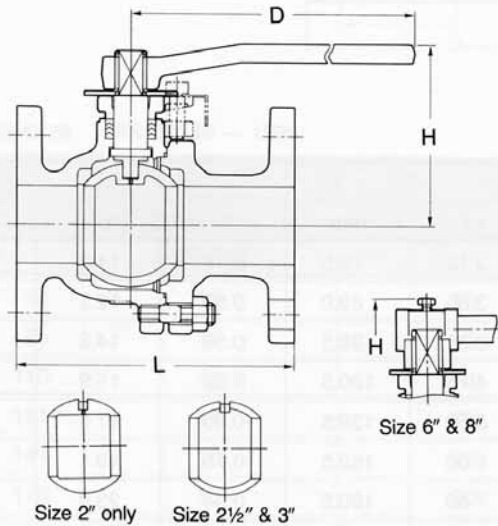
Class 125 Iron Ball Valve (Full Bore)

Fig. 125FCTB



Blowout-proof stem

Flanged ends	ASME B16.1
F-F dimension	ASME B16.10
Wall thickness	KITZ Std.



120°C Non-shock water	1.37MPa (14kgf/cm ²)
120°C Water, oil, gas	0.98MPa (10kgf/cm ²)
Saturated steam	0.69MPa (7kgf/cm ²)
Hydrostatic shell test	2.06MPa (21kgf/cm ²)
Pneumatic seat test	0.59MPa (6kgf/cm ²)

Materials

Parts	ASTM materials	
Body	A126 Class B	
Body cap	A126 Class B	
Stem	A276 Type 403	
Ball	A351 Gr. CF8 / Type 304	
Gland	Ductile iron	
Gland packing	PTFE	
Ball seat	PTFE	
Thrust washer	Reinforced PTFE	
Handle*	(2" to 4")	Ductile iron
	(6" to 8")	Carbon steel

* Bar type handle is used for 6" and larger.

Dimensions

Valve size	mm	50	65	80	100	150	200
	inch	2	2½	3	4	6	8
Bore diam.		50	65	80	100	150	200
L		178	190	203	229	394	457
H		120	155	165	200	295	355
D		230	400	400	460	1000	1500

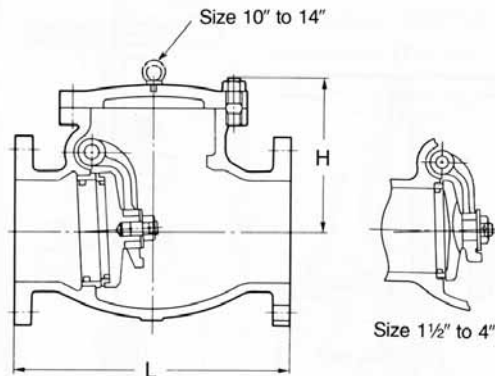
JIS 10K Iron Swing Check Valve

- Fig. 10FCO (Bronze trim)
- Fig. 10FCOS (13 Cr. trim)
- Fig. 10FCOU (18-8 trim)

Bolted cover, swing type disc.



Designed to JIS B2031



120°C Non-shock water	1.37MPa (14kgf/cm ²)
120°C Size 10" to 14"	0.98MPa (10kgf/cm ²)
120°C Water, oil, air	0.98MPa (10kgf/cm ²)
120°C Size 10" to 14"	0.86MPa (8.8kgf/cm ²)
Saturated steam	0.69MPa (7kgf/cm ²)
120°C Gas	0.69MPa (7kgf/cm ²)
Hydrostatic shell test	2.06MPa (21kgf/cm ²)
	Size 10" to 14" for 1.86MPa (19kgf/cm ²)	
Hydrostatic seat test	1.51~0.50MPa (15.4~5.1kgf/cm ²)
	Size 10" to 14" for 1.08~0.35MPa (11~3.6kgf/cm ²)	
Pneumatic seat test	0.59MPa (6kgf/cm ²)

Materials

Parts	JIS materials		
	10FCO	10FCOS	10FCOU
Body	FC200		
Cover	FC200		
Disc	Size 1½" to 4"	BC6	SUS403 SUS304
	Size 5" to 14"	FC200	
Seat ring	Size 2" to 4"	BC6	SCS1 SCS13
	Size 1½", 5" to 14"	SUS403 SUS304	
Disc nut	SS400		
Hinge pin	C3771BD	SUS403	SUS304
Plug	SS400		
Gasket	Asbestos-free		
Cover bolt/nut	SS400		
Arm	BC6	SCS13A	SCS13A
Eye bolt (Size 10" to 14")	SS400		

Dimensions

Valve size	mm	40	50	65	80	100	125	150	200	250	300	350
	inch	1½*	2	2½	3	4	5	6	8	10*	12*	14*
L Face-to-face		190	200	220	240	290	360	410	500	620	700	787
H Height		106	111	121	145	165	207	225	268	315	356	381

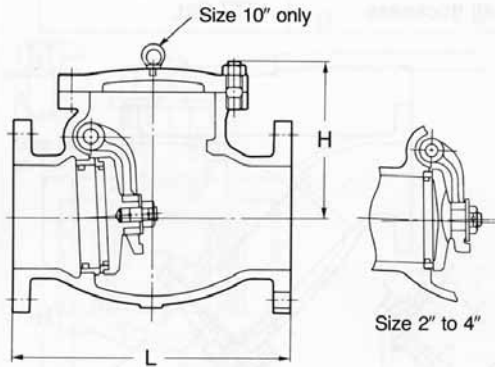
Only 12" & 14" for 10FCOS & 10FCOU. * No JIS Mark.

Class 125 Iron Swing Check Valve

Fig. 125FCO (Bronze trim)
Fig. 125FCOS (13 Cr. trim)

Bolted cover, swing type disc.

200 psi. Water, oil, gas 65°C
125 psi. Saturated steam
350 psi. Hydrostatic shell test
220 psi. Hydrostatic seat test
80 psi. Pneumatic seat test



Materials

Parts	ASTM materials	
	125FCO	125FCOS
Body	A126 Class B	
Cover	A126 Class B	
Disc	Size 2" to 4"	B62
	Size 5" to 10"	F6a
Disc nut	A126 Class B	
Disc nut	Carbon steel	
Seat ring	Size 2" to 4"	B62
	Size 5" to 10"	CA-15 F60
Hinge pin	No. C37700	Type 403
Arm	B62	CF8
Gasket	Asbestos-free	
Cover bolt/nut	Carbon steel	
Eye bolt (Size 10" only)	Carbon steel	

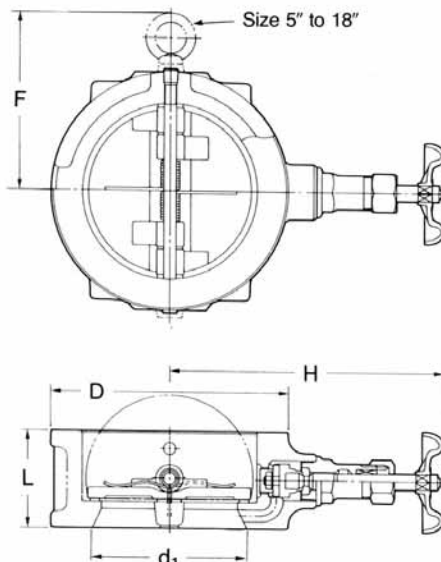
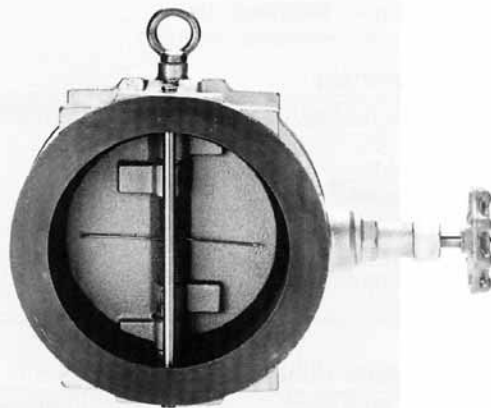
Flanged ends	ASME B16.1
F-F dimension	ASME B16.10
Wall thickness	KITZ Std.

Dimensions

Valve size	mm								
	inch	50	65	80	100	125	150	200	250
L Face-to-face	203	216	241	292	330	356	495	622	
H Height	111	121	145	165	207	225	268	315	

10K Iron Wafer Type Check Valve

Fig. 10FW (Bronze trim)



80°C Non-shock water 1.37MPa (14kgf/cm²)
80°C Water, oil, air 0.98MPa (10kgf/cm²)
Hydrostatic shell test 2.06MPa (21kgf/cm²)
Hydrostatic seat test 15.1~0.05MPa
(15.4~0.5kgf/cm²)

Materials

Parts	JIS materials	
Body	FC200 + NBR	
Disc	BC6	
Disc washer	SS400	
Body washer	Size 2" to 12"	Reinforced PTFE
	Size 14" to 18"	C3771BD
Plug	SWCH10R	
Spring	SUS304	
Eye bolt (Size 5" to 18")	S25C	

Bypass valve

Bonnet	FCMB340
Stem	SUS403
Disc	Reinforced PTFE
Disc washer (Size 6" to 18")	SS400
Disc holder	SUS403
Body seat ring	SUS403
Gasket	C1100P
Gland packing	Asbestos-free
Handwheel	FCMB270

Flanged ends	JIS 10K wafer
F-F dimension	KITZ Std.
Wall thickness	JIS B2031

Dimensions

Valve size	mm													
	inch	50	65	80	100	125	150	200	250	300	350	400	450	
L	54	54	57	64	70	76	95	108	144	184	191	203		
H Height(OPEN)	160	166	172	185	198	240	266	292	317	337	365	391		
F	—	—	—	—	135	150	177	216	240	284	314	352		
D	101	121	131	156	187	217	267	330	375	420	483	538		
d ₁	51	64	77	102	127	153	204	254	305	356	407	458		
d ₂	65	77	90	115	141	167	218	270	321	359	410	460		
R	31	37	43	55	66	78	104	129	155	176	201	225		

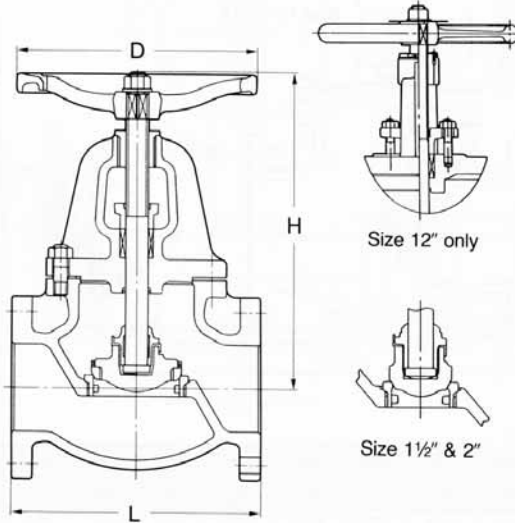
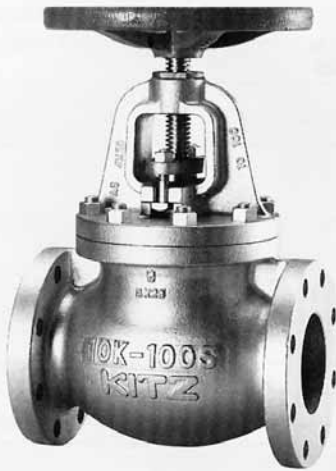
JIS 10K Iron Globe Valve

Fig. 10FCJ (Bronze trim)
Fig. 10FCJS (13 Cr. trim)
Fig. 10FCJU (18-8 trim)

Bolted bonnet, outside screw & yoke, rising stem, conical disc.

 Designed to JIS B2031

120°C Non-shock water 1.37MPa (14kgf/cm²)
 120°C Water, oil, air 0.98MPa (10kgf/cm²)
 120°C Gas 0.20MPa (2kgf/cm²)
 Saturated steam 0.69MPa (7kgf/cm²)
 Hydrostatic shell test 2.06MPa (21kgf/cm²)
 Hydrostatic seat test 1.51MPa (15.4kgf/cm²)



Materials

Parts	JIS materials		
	10FCJ	10FCJS	10FCJU
Body	FC200		
Bonnet	FC200		
Stem	C3771BD	SUS403	SUS304
Disc	Size 1½" & 2"	BC6	SUS403
	Size 2½" to 12"	FC200	
Seat ring	BC6	SUS403	SUS304
Lock nut	Size 1½" to 4"	BC6	SCS1
	Size 5" to 12"	SUS403	SCS13
Gland	FCD-S		
Gland packing	Asbestos-free		
Hand-wheel	Size 1½" to 6"	FC250	
	Size 8" to 10"	FCD400	
	Size 12"	FC200	
Washer	SS400		
Gasket	Asbestos-free		
Gland bolt/nut (12" only)	SS400		
Bonnet bolt/nut	SS400		
Set screw (Size 12")	SCM435		

Dimensions

Valve size	mm	40	50	65	80	100	125	150	200	250	300
	inch	1½	2	2½	3	4	5	6	8	10*	12*
L Face-to-face		190	200	220	240	290	360	410	500	620	700
H Height (OPEN)		260	277	307	353	404	454	533	642	665	883
D Handwheel Diameter		160	180	180	225	280	300	350	450	450	500

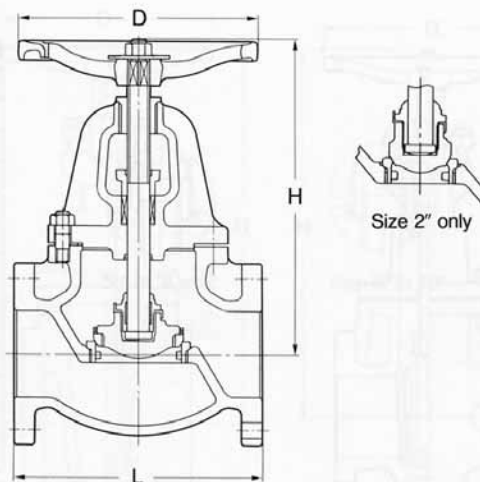
* JIS mark is not applicable.

Class 125 Iron Globe Valve

Fig. 125FCJ (Bronze trim)
Fig. 125FCJS (13 Cr. trim)

Bolted bonnet, outside screw & yoke, rising stem, conical disc.

200 psi. Water, oil, gas 65°C
 125 psi. Saturated steam
 350 psi. Hydrostatic shell test
 220 psi. Hydrostatic seat test
 80 psi. Pneumatic seat test



Materials

Parts	ASTM materials	
	125FCJ	125FCJS
Body	A126 Class B	
Bonnet	A126 Class B	
Stem	No. C37700	Type 403
Disc	Size 2"	B62
	Size 2½" to 8"	A126 Class B
Seat ring	B62	F6a
Gland	Ductile iron	
Gland packing	Asbestos-free	
Gasket	Asbestos-free	
Gland bolt/nut	Carbon steel	
Bonnet bolt/nut	Carbon steel	
Handwheel	A126 Class B / Ductile iron (size 8" only)	

Flanged ends	ASME B16.1
F-F dimension	ASME B16.10
Wall thickness	KITZ Std.

Dimensions

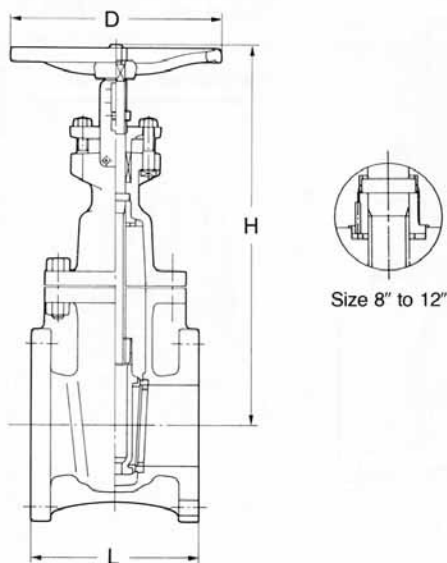
Valve size	mm	50	65	80	100	125	150	200
	inch	2	2½	3	4	5	6	8
L Face-to-face		203	216	241	292	330	356	495
H Height (OPEN)		277	307	353	404	454	533	642
D Handwheel Diameter		180	180	225	280	300	350	450

10K Iron Gate Valve

Fig. 10FCHI (Bronze trim)



Bolted bonnet, inside screw with indicator, non-rising stem, solid wedge disc.



120°C Non-shock water 0.98MPa (10kgf/cm²)
 120°C Water, oil, air 0.86MPa (8.8kgf/cm²)
 Saturated steam 0.69MPa (7kgf/cm²)
 Hydrostatic shell test 1.86MPa (19kgf/cm²)
 Hydrostatic seat test 1.08MPa (11kgf/cm²)

Materials

Parts	JIS materials
Body	FC300
Bonnet	FC300
Stem	C3771BE
Disc	FC300 (1½": BC6)
Seat ring	BC6
Gland	FCD400
Gland packing	Asbestos-free
Gasket	Asbestos-free
Gland bolt/nut	SS400
Bonnet bolt/nut	SS400
Indicator	ZDC
Set pin (Size 8" to 12")	SK5

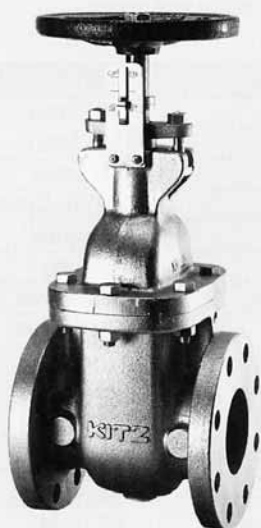
Flanged ends	JIS B2239
F-F dimension	BS 3464
Wall thickness	KITZ Std.

Dimensions

Valve size	mm	40	50	65	80	100	125	150	200	250	300
	inch	1½	2	2½	3	4	5	6	8	10	12
L Face-to-face		140	146	159	165	171	190	210	241	273	305
H Height		210	250	285	350	400	460	515	635	760	870
D Handwheel Diameter		140	140	160	160	180	225	225	300	350	350

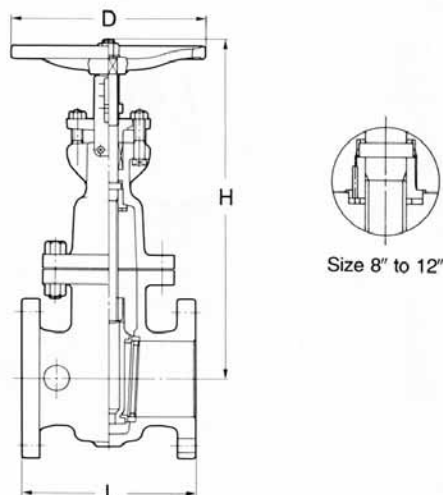
JIS 10K Iron Gate Valve

Fig. 10FCWI (Bronze trim)



Bolted bonnet, inside screw with indicator, non-rising stem, solid wedge disc.

Designed to JIS B2031



120°C Non-shock water 1.37MPa (14kgf/cm²)
 120°C Water, oil, air 0.98MPa (10kgf/cm²)
 120°C Gas 0.20MPa (2kgf/cm²)
 Saturated steam 0.20MPa (2kgf/cm²)
 Hydrostatic shell test 2.06MPa (21kgf/cm²)
 Hydrostatic seat test 1.51MPa (15.4kgf/cm²)

Materials

Parts	JIS materials
Body	FC200
Bonnet	FC200
Stem	C3771BD
Disc	FC200
Seat ring	BC6
Gland	Asbestos-free
Hand-wheel	Size 1½" to 8" FC250 Size 10" to 12" FCD400
Gasket	Asbestos-free
Bonnet bolt/nut	SS400
Gland bolt/nut	SS400
Bonnet bush	BC6
Stem nut	BC6
Indicator	ZDC
Plate	A1050P
Set pin (Size 8" to 12")	SK5

Dimensions

Valve size	mm	40	50	65	80	100	125	150	200	250	300
	inch	1½*	2	2½	3	4	5	6	8	10	12
L Face-to-face		165	180	190	200	230	250	270	290	330	350
H Height		285	313	344	401	444	517	577	693	814	925
D Handwheel Diameter		160	180	180	200	250	280	300	350	400	450

* No JIS Mark.

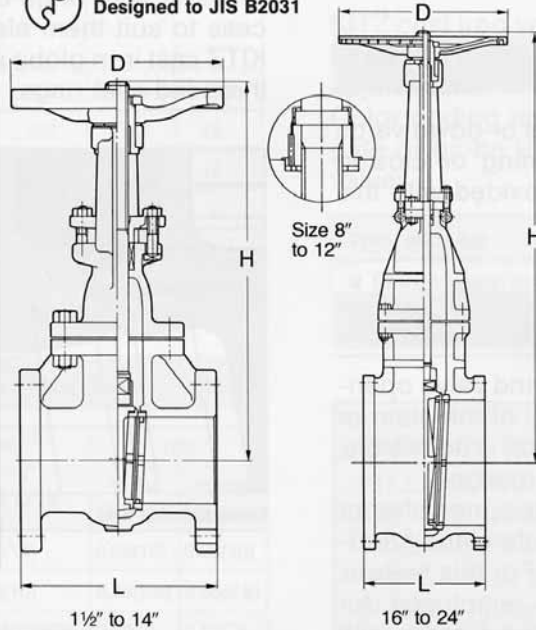
JIS 10K Iron Gate Valve

Fig. 10FCL (Bronze trim)
Fig. 10FCLS (13 Cr. trim)
Fig. 10FCLU (18-8 trim)

Bolted bonnet, outside screw & yoke, rising stem, solid wedge disc.



Designed to JIS B2031



120°C Non-shock water 1.37MPa (14kgf/cm²)
 120°C Water, oil, air 0.98MPa (10kgf/cm²)
 120°C Gas 0.20MPa (2kgf/cm²)
 Saturated steam 0.69MPa (7kgf/cm²)
 Hydrostatic shell test 2.06MPa (21kgf/cm²)
 Hydrostatic seat test 1.51MPa (15.4kgf/cm²)
 (Refer to Page 2 for size 14" to 24".)

Materials

Parts	JIS materials		
	10FCL	10FCLS	10FCLU
Body	FC200		
Bonnet	FC200		
Stem	C3771BD	SUS403	SUS304
Disc	FC200		
Seat ring	Size 1½" to 4"	BC6	SCS1 SCS13
	Size 5" to 24"		SUS403 SUS304
Gland	Size 1½" to 14"	FCD-S	
	Size 16" to 24"	SUS403	
Gland packing	Asbestos-free		
Hand-wheel	Size 1½" to 8"	FC250	
	Size 10" to 24"	FCD400	
Gasket	Asbestos-free		
Bonnet bolt/nut	SS400		
Gland bolt/nut	SS400		
Yoke sleeve	BC6		
Yoke (Size 10" to 24")	FC200		

Dimensions

Valve size	mm	40	50	65	80	100	125	150	200	250	300	350	400	450	500	600
	inch	1½*	2	2½	3	4	5	6	8	10	12	14*	16*	18*	20*	24*
L Face-to-face		165	180	190	200	230	250	270	290	330	350	381	406	432	457	508
H Height (OPEN)		306	343	389	462	547	648	759	956	1168	1363	1560	1795	1995	2230	2640
D Handwheel Diameter		160	170	170	200	250	280	300	350	400	450	500	600	600	680	760

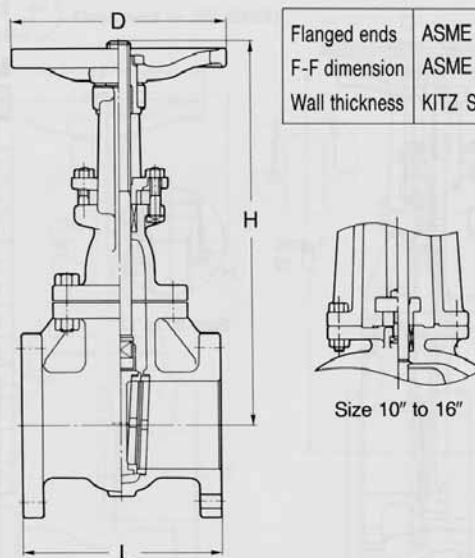
* JIS Mark is not applicable.

Class 125 Iron Gate Valve

Fig. 125FCL (Bronze trim)
Fig. 125FCLS (13 Cr. trim)

Bolted bonnet, outside screw & yoke, rising stem, solid wedge disc.

Flanged ends ASME B16.1
 F-F dimension ASME B16.10
 Wall thickness KITZ Std.



200 psi. Water, oil, gas 65°C
 125 psi. Saturated steam
 350 psi. Hydrostatic shell test
 220 psi. Hydrostatic seat test
 80 psi. Pneumatic seat test
 (Refer to Page 2 for size 14" & 16")

Materials

Parts	ASTM materials	
	125FCL	125FCLS
Body	A126 Class B	
Bonnet	A126 Class B	
Stem	No. C37700	Type 403
Disc	A126 Class B	
Seat ring	Size 2" to 4"	CA-15
	Size 5" to 16"	F6a
Gland	Ductile iron	
Gland packing	Asbestos-free	
Gasket	Asbestos-free	
Gland bolt/nut	Carbon steel	
Bonnet bolt/nut	Carbon steel	
Handwheel	A126 Class B/Ductile iron (12" to 16")	
Yoke (Size 10" to 16")	A126 Class B	
Yoke bolt/nut (10" to 16")	Carbon steel	

Dimensions

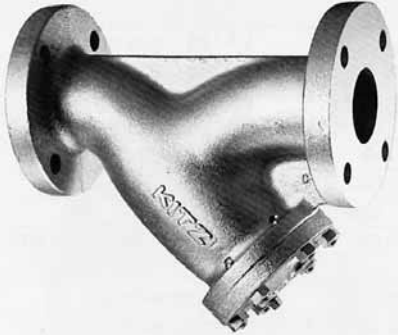
Valve size	mm	50	65	80	100	125	150	200	250	300	350	400
	inch	2	2½	3	4	5	6	8	10	12	14	16
L Face-to-face		178	190	203	229	254	267	292	330	356	381	406
H Height (OPEN)		328	382	436	532	627	726	919	1134	1363	1560	1850
D Handwheel Diameter		160	170	170	225	225	250	280	350	450	500	600

10K Iron Y-Type Strainer

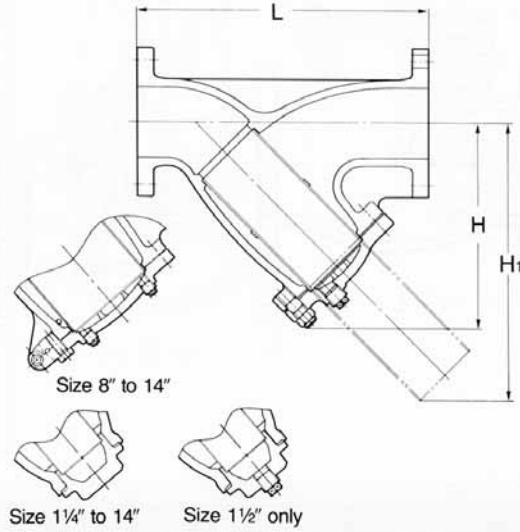
Fig. 10FCY

Bolted cover, Y-pattern body, Punched stainless steel plate screen.

120°C Non-shock water 1.37MPa (14kgf/cm²)
 120°C Water, oil, air 0.98MPa (10kgf/cm²)
 120°C Gas 0.20MPa (2kgf/cm²)
 Saturated steam 0.69MPa (7kgf/cm²)
 Hydrostatic shell test 2.06MPa (21kgf/cm²)



Flanged ends	JIS 2239
F-F dimension	KITZ Std.
Wall thickness	KITZ Std.

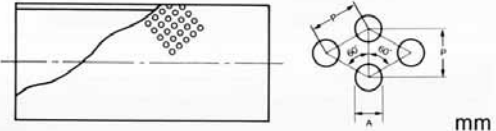


Materials

Parts	JIS materials
Body	FC200
Cap (Size 3/8" to 1 1/2")	C3771BE
Cover (Size 2" & larger)	FC200
Gasket	Asbestos-free
Screen	SUS304
Cover bolt	SS400
Cover nut (Size 2" to 6")	SS400
Plug (Size 1 1/2" & larger)	SUS304

Screen dimensions

Valve Size	A	P	Thickness
3/8" to 2"	1.4ø	2.4	0.3 (1" to 2":0.4)
2 1/2" to 5"	1.5ø	2.5	0.5
6" & 8"	3.0ø	5.0	1.0
10" to 14"	5.0ø	7.0	1.0



Strainer dimensions

Valve size	mm inch	10	15	20	25	32	40	50	65	80	100	125	150	200	250	300	350
		3/8	1/2	3/4	1	1 1/4	1 1/2	2	2 1/2	3	4	5	6	8	10	12	14
L	Face-to-face	115	125	140	150	170	190	230	305	360	415	465	515	580	680	800	950
H	Height	46	57	63	77	90	100	127	208	237	280	325	370	462	536	625	741
H ₁		64	82	91	114	134	146	173	289	335	388	446	497	589	694	818	993

Class 125 Iron Y-Pattern Strainer

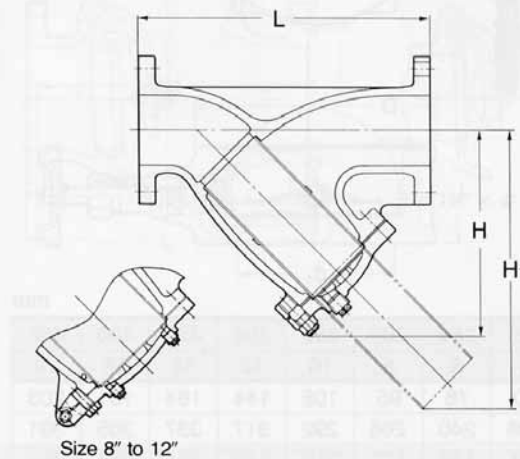
Fig. 125FCY

Bolted cover, Y-pattern body, Punched stainless steel plate screen.

200 psi. Non-shock water 120°C
 150 psi. Water, oil, air 120°C
 100 psi. Saturated steam
 350 psi. Hydrostatic shell test



Flanged ends	ASME B16.1
F-F dimension	KITZ Std.
Wall thickness	KITZ Std.

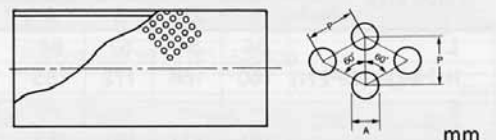


Materials

Parts	ASTM materials
Body	A126 Class B
Cover	A126 Class B
Gasket	Asbestos-free
Screen	Type 304
Cover bolt	A307 Gr.B
Cover nut	A307 Gr.B (Size 2" to 6")
Plug	Type 304

Screen dimensions

Valve Size	A	P	Thickness
2" only	1.4ø	2.4	0.4
2 1/2" to 5"	1.5ø	2.5	0.5
6" & 8"	3.0ø	5.0	1.0
10" & 12"	5.0ø	7.0	1.0



Dimensions

Valve size	mm inch	50	65	80	100	125	150	200	250	300
		2	2 1/2	3	4	5	6	8	10	12
L	Face-to-face	250	285	315	370	420	490	570	680	800
H	Height	168	212	242	284	325	370	440	515	600
H ₁		208	289	335	388	446	497	589	694	818